

# 46" Freestanding Digital Poster



24/7 usage



**HD** high definition



multiple inputs



wide viewing angle



eco-friendly power timer



plug & play



lock protected compartment



image, video & music



scheduling software



remote control

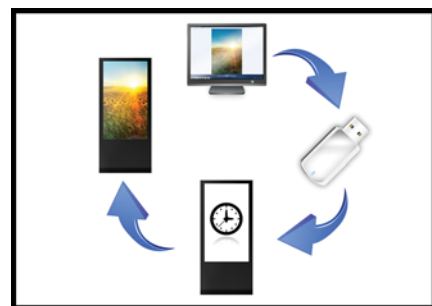
The brand new range of HD LCD Freestanding Digital Posters are designed to be a complete digital signage solution. Thanks to their built in HD media player they require no additional hardware such as PCs, DVD players, excess cables or software; you simply plug and play. They also have the exceptional feature of full HD 1080p video display.

As well as being portable, they also have the ability to be in constant use and a wide viewing angle. Tempered glass styling and no buttons or controls on show provide a sleek elegance.

The lockable compartment is suitable for concealing an external media player or small PC that can be used to directly display content. As well as functioning as a comprehensive user-friendly standalone solution our Freestanding Digital Posters can also be networked for remote updates.

An eco-friendly power timer allows the user to set what time the display turns on and off during a week. This means that your overall power consumption will be conveniently reduced as the display will not be running when it is not required.

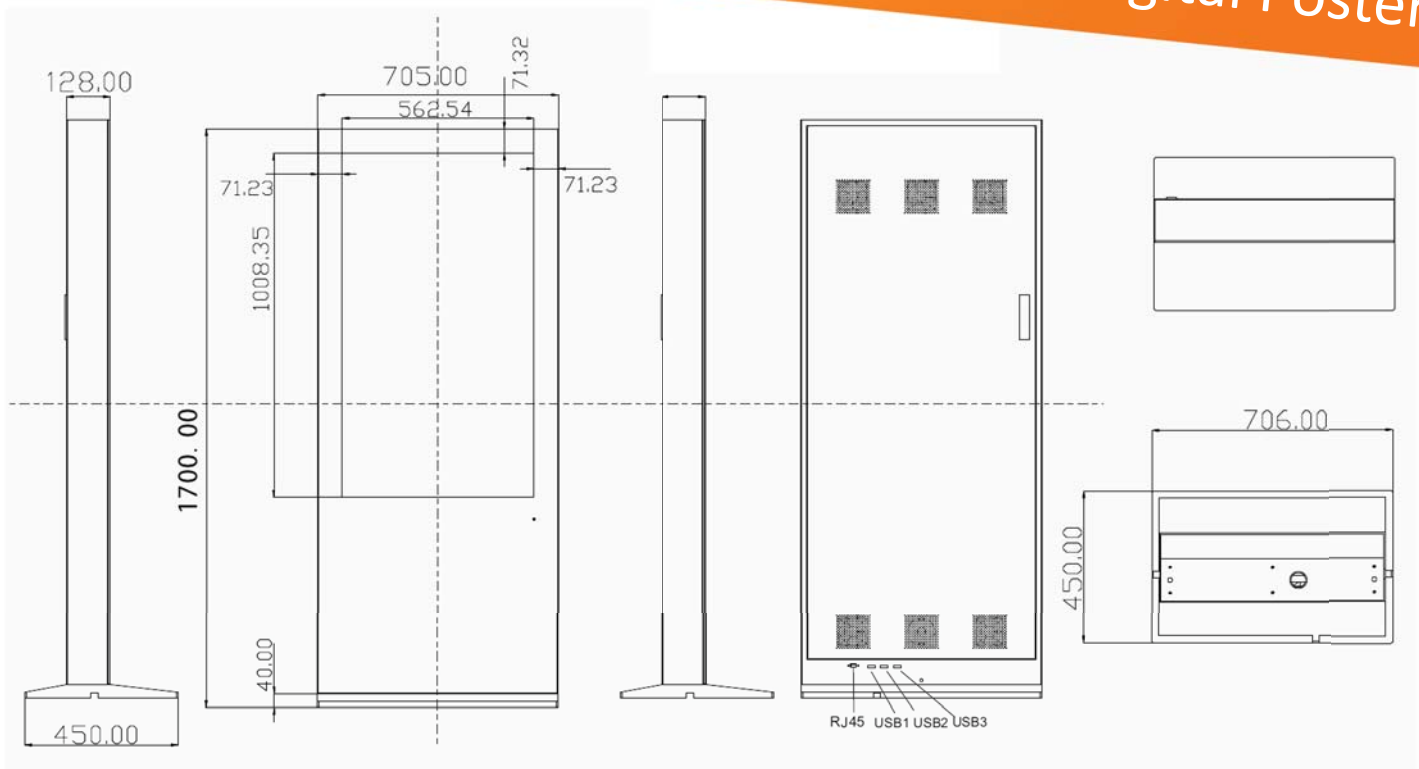
Some of the ideal environments for this range include retail locations like supermarkets, department stores, show rooms and shopping centres as well as banks, gyms, train/bus stations, travel agents, hospitals, museums, exhibition displays, cinemas and conference halls, hotel lobbies and reception areas.



Our products use a straightforward plug and play system. Simply load the content in the order you want it to be displayed onto a USB stick. Insert the USB stick into the LCD screen, wait for the data to load, remove the USB stick and your images, videos and music will be displayed.

*"These dynamic digital posters are simple to use but achieve a powerful impact, ideal for grabbing the attention of your target audience."*

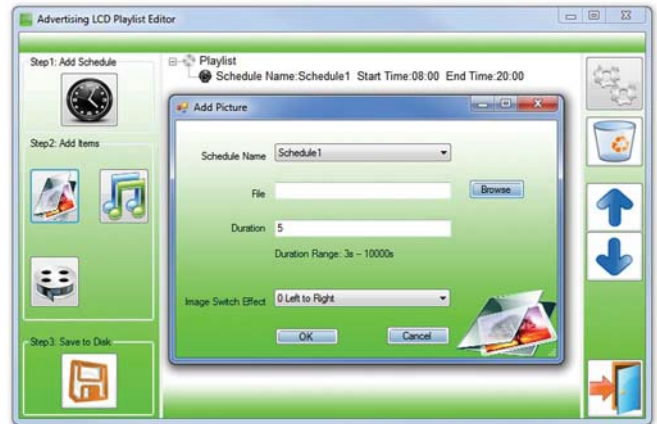
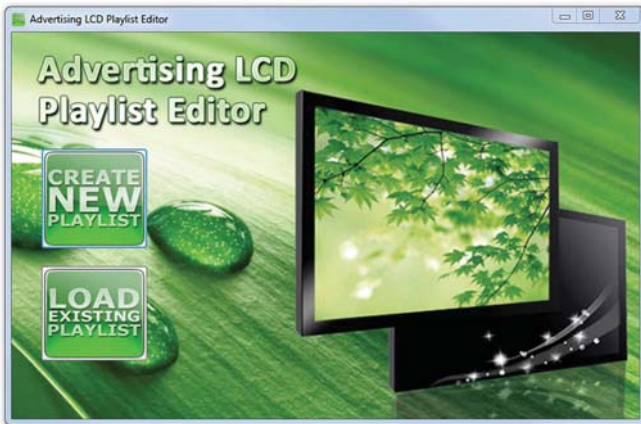
# 46" Freestanding Digital Poster



46" Freestanding Digital Poster	
Display Size	46 Inch
Resolution	1080x1920
Display Area (mm)	562.54x1008.35
Aspect Ratio	16:9
Unit Size (WxHxD mm)	705x1700x128
Package Size (WxHxD mm)	900x1880x650
Net Weight (kg)	100
Gross Weight (kg)	110
Brightness (cd/ m <sup>2</sup> )	500
Colour	16.7M
Viewing Angle	178°
Contrast Ratio	4000:1
Power Consumption (W)	370
Input Voltage	AC110~240V(50Hz~60Hz)
Working Temperature	0 °C to 50 °C
Media Formats	VIDEO (MPEG, AVI, Divx, Xvid, VOB), AUDIO (MP3, WMA), JPEG
Video Signal Inputs	VGA, AV, HDMI, YPbPr, Video IN
Audio	5W, 8Ω
Memory	2GB
Port	USB
Accessories	Remote control, AC Power Cable, Scheduling Software CD, Key, User Manual
Optional Extras	Touch Screen, Wheels, Networking, Double Sided Display, Custom Colours/Branding

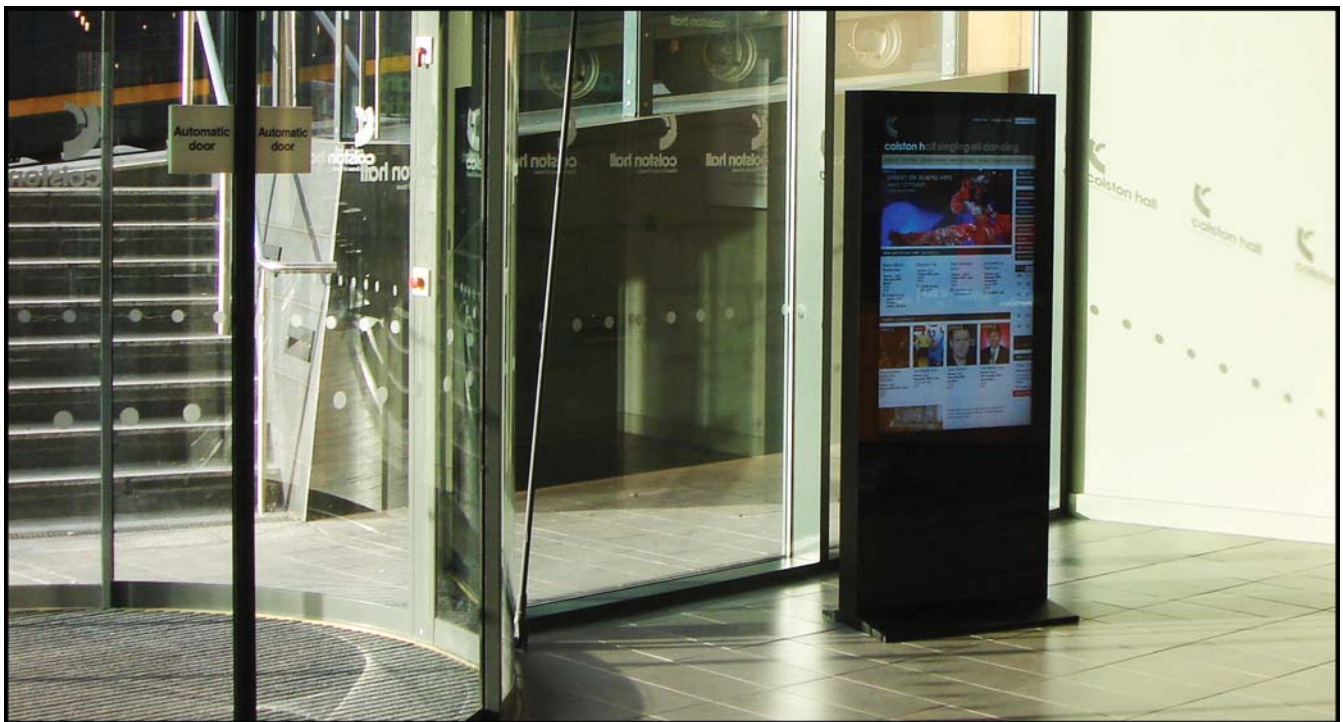
"These dynamic digital posters are simple to use but achieve a powerful impact, ideal for grabbing the attention of your target audience."

# 46" Freestanding Digital Poster



Although our Digital Advertising Displays can operate using the plug and play method and do not require any additional software, advanced users can utilize the Playlist Editor to create content schedules greatly expand the potential of the LCD Display for Digital Signage.

Playlist Editor has a user friendly layout and easy to follow steps. It allows the user to create timed schedules to which image, video and audio files can be added. Duration times and transition styles can also be set for each image or video file.



*"These dynamic digital posters are simple to use but achieve a powerful impact, ideal for grabbing the attention of your target audience."*